

# **MT- 40 MANUAL**

**INCLUDING: OPERATION, INSTRUCTION, INSTALLATION, MAINTENANCE AND PARTSBOOK**

---

**IMPORTANT: READ THIS MANUAL CAREFULLY BEFORE INSTALLING, OPERATING OR  
SERVICING THIS TOOL.**

---

## **MT- 40** **HOG TOE NOTCHER**

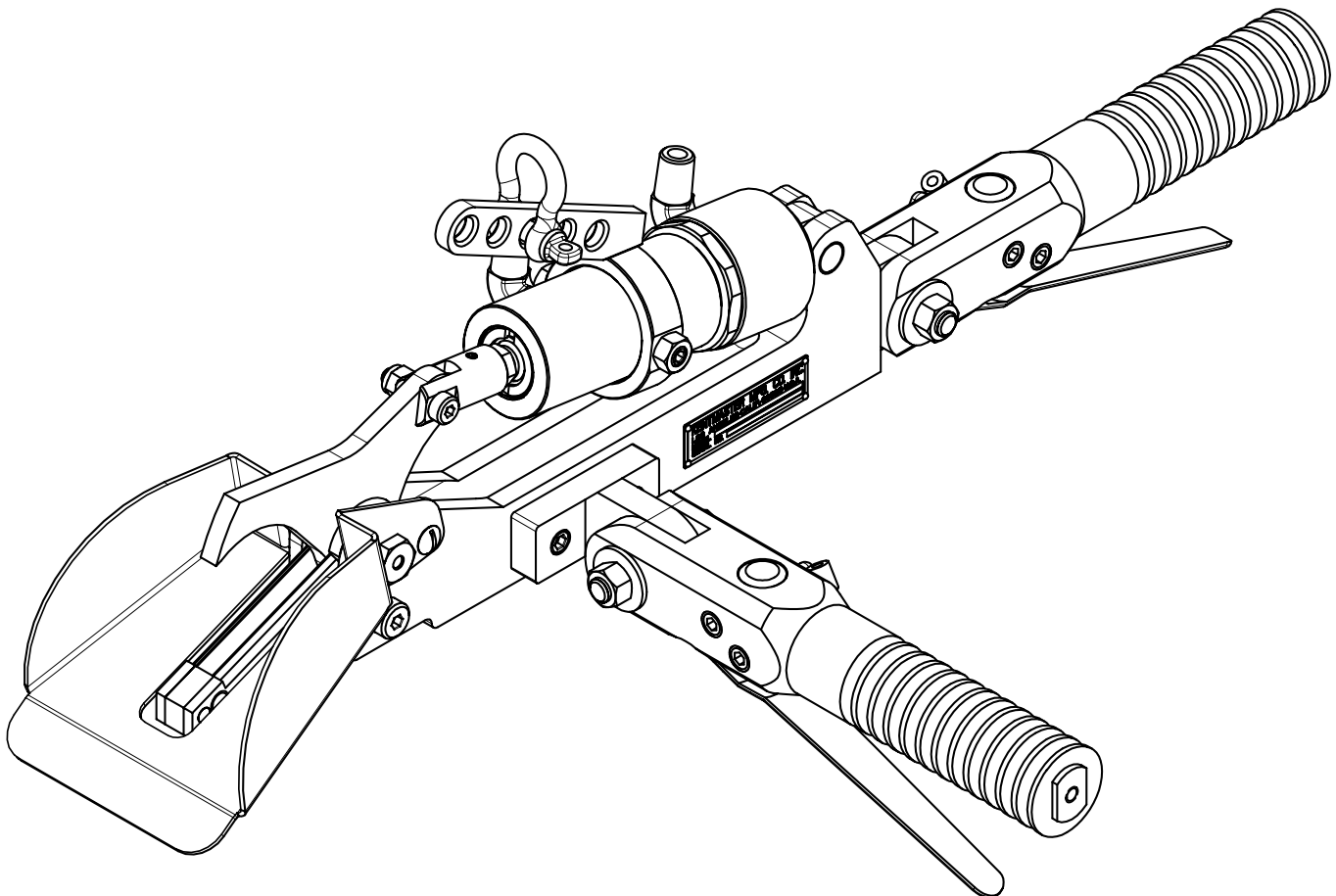
### **TOOL DATA**

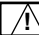
MODEL: MT-40

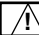
TYPE: HYDRAULICALLY OPERATED

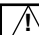
NET WEIGHT: 16 LB (7.2 KILOS)

HYDRAULIC PRESSURE: 1500 P.S.I. MAXIMUM




 **WARNING** = Hazards or unsafe practices which could result in severe personal injury, death or substantial property damage.


 **CAUTION** = Hazards or unsafe practices which could result in minor personal injury, product or property damage.


 **NOTICE** = Important installation, operation or maintenance information.

## **OPERATING AND SAFETY INSTRUCTIONS**

 **WARNING** DO NOT OPERATE THIS TOOL UNTIL YOU HAVE READ AND UNDERSTOOD THE SAFETY INSTRUCTIONS AND OPERATING MANUALS.

 **WARNING** DO NOT OPERATE THIS TOOL UNTIL YOU HAVE RECEIVED TRAINING IN THE HANDLING, OPERATION AND USE OF THIS TOOL.

 **WARNING** STOP USING A MALFUNCTIONING OR DEFECTIVE TOOL IMMEDIATELY. REPORT ANY PROBLEMS OR DEFECTS TO YOUR SUPERVISOR FOR REMOVAL OF THE TOOL FROM SERVICE.

 **WARNING** DO NOT ATTEMPT TO REPAIR THE TOOL YOURSELF.


 **WARNING** DO NOT ALLOW UNAUTHORIZED PERSONS TO USE TOOL.

 **WARNING** REMOVE AND DISCONNECT POWER FROM THE TOOL WHEN TOOL IS LEFT UNATTENDED OR NOT IN USE.

 **WARNING** NEVER TIE DOWN, BYPASS, ALTER OR MODIFY THE ACTIVATING SWITCHES OR TRIGGERS OF THIS TOOL.

 **WARNING** NEVER MAKE ALTERATIONS OR MODIFICATIONS TO THIS TOOL.

 **WARNING** BE CONSTANTLY AWARE AND ALERT FOR UNSAFE CONDITIONS AND REPORT THEM IMMEDIATELY TO YOUR SUPERVISOR.

 **WARNING** NEVER PLACE YOUR HAND OR ANY PART OF YOUR BODY IN THE CUTTING PATH OF THE TOOL.

 **WARNING** NEVER ALLOW ANYONE ELSE TO PLACE THEIR HANDS OR ANY PART OF THEIR BODY IN THE CUTTING PATH OF THE TOOL.

 **WARNING** DO NOT ACTIVATE CONTROL SWITCHES OR TRIGGERS OF THIS TOOL UNLESS YOU INTEND TO TEST OR OPERATE THIS TOOL.

 **WARNING** DO NOT USE THIS TOOL FOR ANY OTHER PURPOSE OTHER THAN IT'S INTENDED PURPOSE.

 **CAUTION** BE SURE TO WEAR THE PROTECTIVE GEAR AND SAFETY EQUIPMENT SUPPLIED TO YOU WHEN OPERATING THIS TOOL.

 **WARNING** THE NOISE EMISSION (SOUND PRESSURE LEVEL) AT THE WORKSTATION MAY EXCEED 85 dB (A). EAR AND SOUND PROTECTION GEAR MAY BE REQUIRED.

## OPERATING INSTRUCTIONS

**⚠ WARNING** ONLY TRAINED PERSONNEL ARE TO OPERATE THIS TOOL.

1. TO HELP ENSURE TOOL IS OPERATING PROPERLY, PERFORM FOLLOWING STEPS AT START OF EACH SHIFT:
  - MAKE SURE TOOL MOVES UP AND DOWN FREELY WHILE HANGING FROM BALANCER OVERHEAD.
  - WITH POWER TO TOOL TURNED ON, TEST TRIGGER FOR PROPER OPERATION.
  - DEPRESS EACH TRIGGER SEPARATELY. TOOL SHOULD NOT ACTIVATE. DEPRESS BOTH TRIGGERS. TOOL SHOULD ACTIVATE.
  - IF TOOL HAS "ANTI-TIE DOWN" OPTION, BOTH TRIGGERS MUST BE DEPRESSED SIMULTANEOUSLY FOR TOOL TO ACTIVATE.
2. TO PERFORM WORK, HOLD TOOL FIRMLY AT BOTH HANDLES. SQUEEZE TRIGGERS TO ACTIVATE TOOL.

## MAINTENANCE

**⚠ WARNING** ONLY TRAINED AND QUALIFIED PERSONNEL ARE TO PERFORM MAINTENANCE AND SERVICE TO THIS TOOL.

1. FILL LUBRICATOR WITH KENTMASTER AIR MIST OIL (PART NO. 790305). SET DRIP RATE ACCORDING TO INSTRUCTIONS SUPPLIED. TURN ADJUSTMENT ON SIGHT FEED DOME TO INCREASE/DECREASE OIL DELIVERY. MONITOR THE DEVICE BEING LUBRICATED AND READJUST IF NEEDED.
2. TOOL REQUIRES GREASING AFTER EVERY SHIFT. GREASE USING KENTMASTER GREASE (PART NO. 790307).

## BLADE REMOVAL AND CLEANING

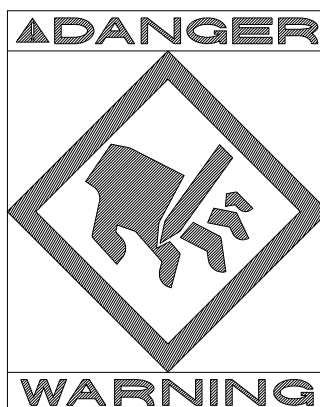
**⚠ WARNING** ALWAYS DISCONNECT POWER SUPPLY FROM TOOL BEFORE INSTALLING OR REMOVING BLADES FROM TOOL.

**⚠ WARNING** ALWAYS WEAR WIRE MESH GLOVES WHEN INSTALLING OR REMOVING BLADES FROM TOOL.

1. TO REMOVE BLADES REMOVE SCREWS (ITEM 9, ITEM 13) AND NUTS (ITEM12, ITEM 14), FIGURE 2. (PROCEDURE NOT NECESSARY TO CLEAN BLADES).
2. CLEAN ALL PARTS REMOVED WITH SOAP AND WATER.
3. SHARPEN OR REPLACE BLADES WHEN NECESSARY AND LUBRICATE ALL PARTS.
4. REASSEMBLE ALL PARTS IN REVERSE ORDER.

## SERVICE

1. KEEP GOOD RECORDS OF ALL SERVICE ACTIVITY AND INCLUDE TOOL IN YOUR PREVENTIVE MAINTENANCE PROGRAM.
2. USE ONLY GENUINE KENTMASTER REPLACEMENT PARTS TO ASSURE PROPER PERFORMANCE OF TOOL.
3. CONTACT THE KENTMASTER SUPPLIER NEAREST YOU FOR PARTS AND CUSTOMER SERVICE INFORMATION.



# HOG TOE NOTCHER MODEL MT-40

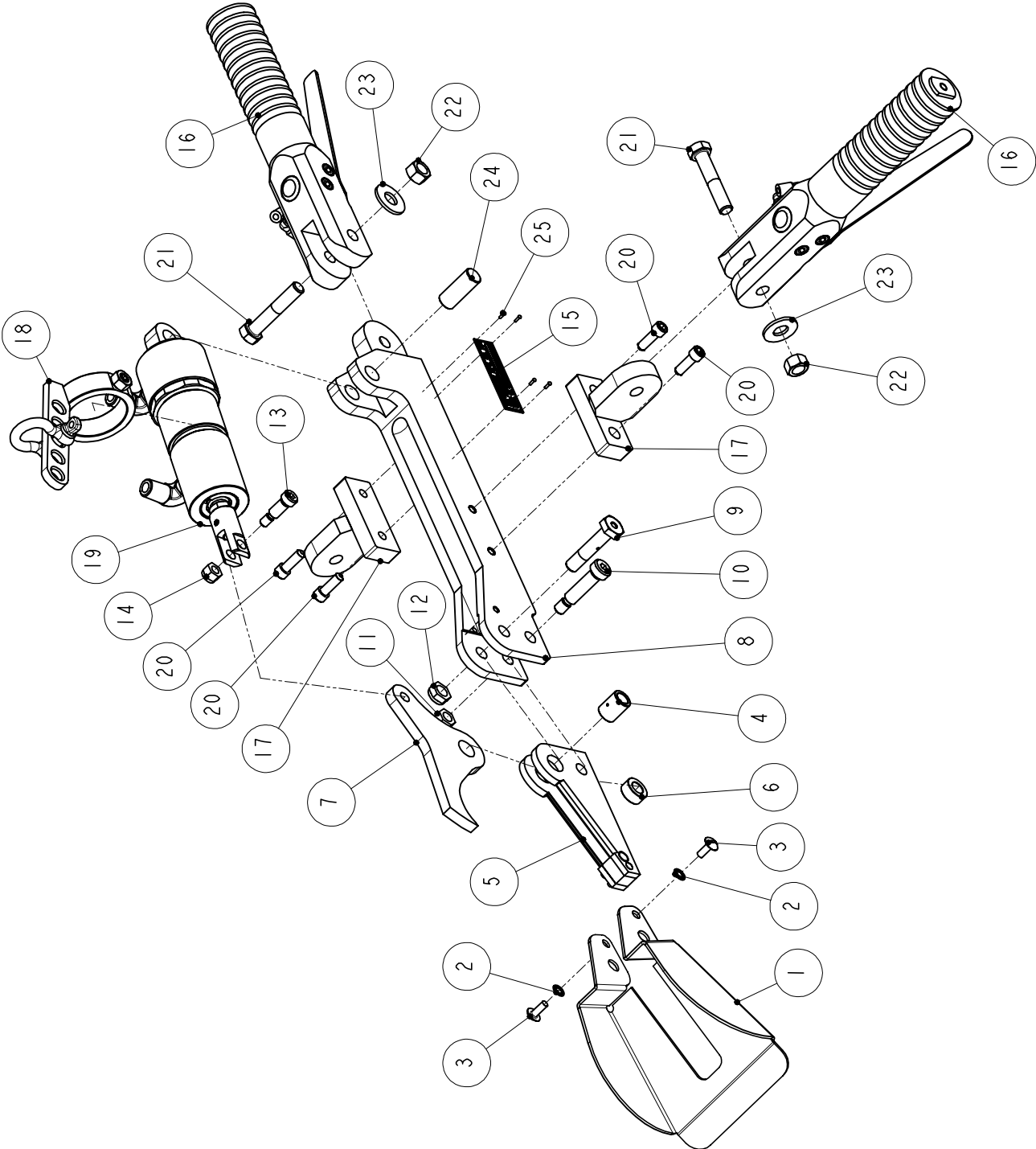


Figure 1

**HOG TOE NOTCHER  
MODEL MT-40  
BOM (Figure 1)**

ASSEMBLY No: 6630000		MT-40, HOG TOE NOTCHER	
ITEM	PART #	DESCRIPTION	QTY
1	6609190	GUIDE, HOG TOE	1
2	8507090	WASHER	2
3	8110040	SCREW	2
4	6609180	SLEEVE	1
5	6609740	BLADE BOTTOM	1
6	6609790	SPACER	1
7	6609830	BLADE	1
8	6609630	MOUNTING BASE	1
9	6600320	PIN, BLADES	1
10	8870370	SCREW	1
11	8504130	NUT	1
12	8504700	NUT	1
13	8870220	SCREW	1
14	8504110	NUT	1
15	6211690	NAME PLATE	1
16	6600450	AIR HANDLE	2
17	6609650	HANDLE BRACKET	2
18	6609800	ASSY HANGER	1
19	6609810	CYLINDER ASSEMBLY	1
20	8211060	SCREW	4
21	8415160	SCREW	2
22	8500150	NUT	2
23	8505160	WASHER	2
24	8621430	PIN	1
25	8640030	DRIVE SCREW	4

6630200	CONTROL WITH ANTI-TIE DOWN
6630100	CONTROL WITHOUT ANTI-TIE DOWN
PART No.	DESCRIPTION
CONTROL OPTIONS (REQUIRED)	

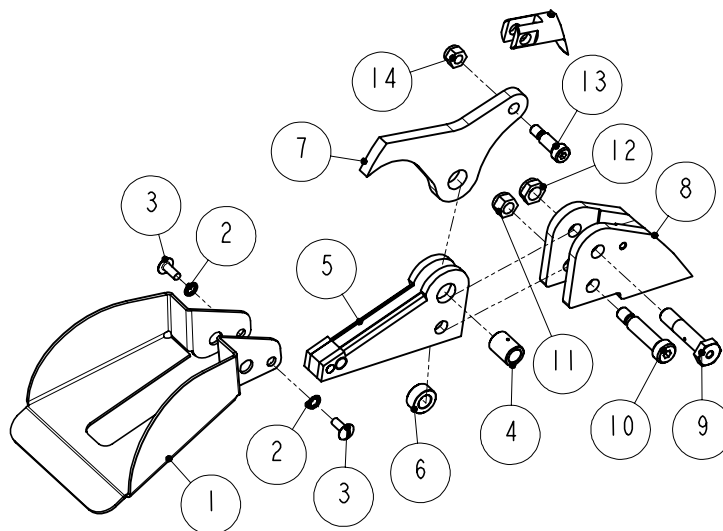
## OPTIONAL ITEMS:

6517000-A	HYDRO POWER PUMP HPP-1111-A
6610000	BOOSTER PUMP BI
PART No.	DESCRIPTION
PUMP OPTIONS (OPTIONAL)	

7200140	OIL REMOVAL FILTER/REGULATOR AND LUBRICATOR
PART No.	DESCRIPTION
FILTER/REGULATOR AND LUBRICATOR (OPTIONAL)	

7100220	SPRING BALANCER RANGE 13lb - 18lb TRAVEL 8.2ft
PART No.	DESCRIPTION
SPRING BALANCER (OPTIONAL)	

## BLADE ASSEMBLY



ASSEMBLY No: 6630000		MT-40, HOG TOE NOTCHER	
ITEM	PART #	DESCRIPTION	QTY
1	6609190	GUIDE, HOG TOE	1
2	8507090	WASHER	2
3	8110040	SCREW	2
4	6609180	SLEEVE	1
5	6609740	BLADE BOTTOM	1
6	6609790	SPACER	1
7	6609830	BLADE	1
8	6609630	MOUNTING BASE	1
9	6600320	PIN, BLADES	1
10	8870370	SCREW	1
11	8504130	NUT	1
12	8504700	NUT	1
13	8870220	SCREW	1
14	8504110	NUT	1

Figure 2

### Blade Assembly Disassembly



**WARNING**

**ALWAYS DISCONNECT POWER SUPPLY FROM TOOL BEFORE INSTALLING OR REMOVING BLADES FROM TOOL**



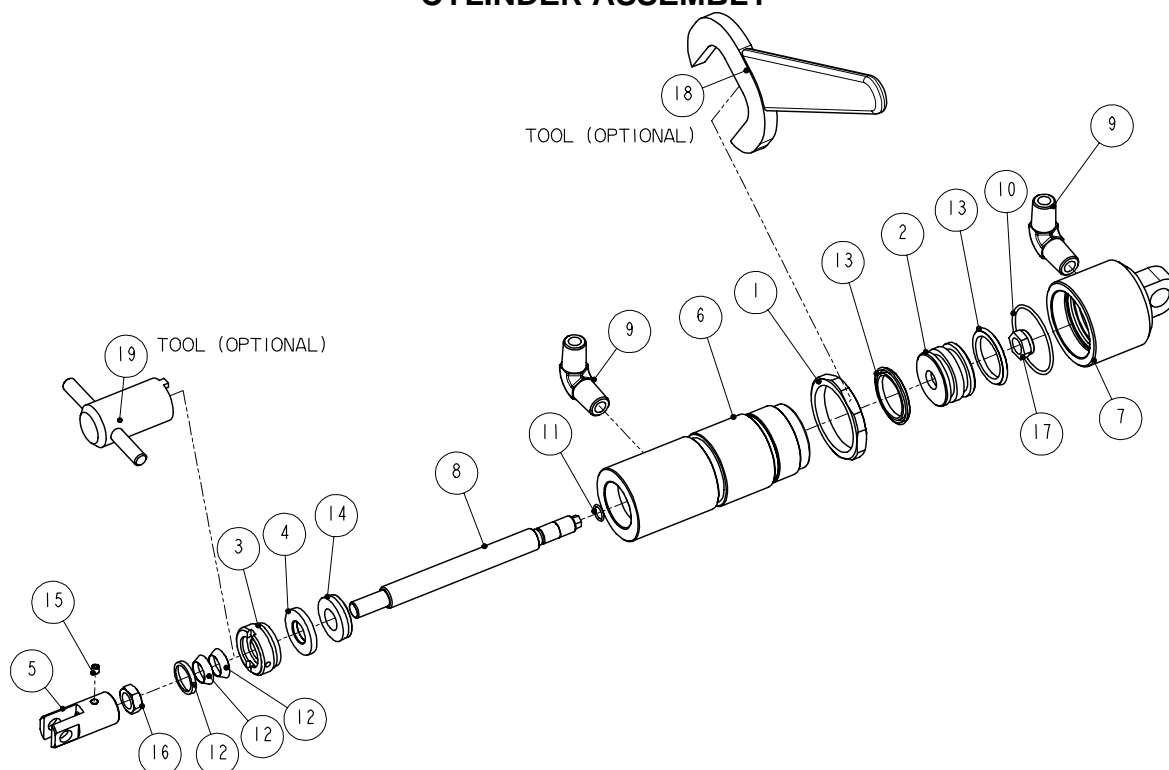
**WARNING**

**ALWAYS WEAR WIRE MESH GLOVES WHEN INSTALLING OR REMOVING BLADES FROM TOOL.**

1. TO REMOVE OR CHANGE BLADES (**PROCEDURE NOT NECESSARY TO CLEAN BLADES**):
  - REMOVE SCREWS (ITEM 9, ITEM 13) AND NUTS (ITEM 12, ITEM 14).
  - SLIDE OUT BLADE (ITEM 7) AND SLEEVE (ITEM 4).
  - REMOVE SLEEVE (ITEM 4) FROM BLADE (ITEM 7).

### Blade Assembly Reassembly

1. CLEAN AND LUBRICATE ALL PARTS PRIOR TO REASSEMBLY.
2. SHAPEN OR REPLACE BLADES AS NEEDED.
3. REASSEMBLE PARTS IN REVERSE ORDER.

**CYLINDER ASSEMBLY**

ASSEMBLY No: 6609810_TOOL		CYLINDER ASSEMBLY	
ITEM	PART #	DESCRIPTION	QTY
1	6600240	LOCK NUT	1
2	6600380	PISTON	1
3	6600480	NUT, PACKING	1
4	6600490	SPACER	1
5	6609670	CLEVIS	1
6	6609690	CYLINDER	1
7	6609700	CAP - CYLINDER	1
8	6609720	ROD, PISTON	1
9	7004010	ELBOW, 90 DEG	2
10	7680290	O-RING	1
11	7705000	O-RING	1
12	7710250	SEAL-GUARD SET	1
13	7710500	SEAL	2
14	7711100	SEAL	1
15	8336010	SET SCREW	1
16	8500190	NUT	1
17	8504700	NUT	1
18	4501800	WRENCH	1
19	4501820	TOOL, PACKING NUT	1

**Figure 3****Hydraulic Cylinder Disassembly**

1. LOOSEN SCREW (#15), SCREW CLEVIS (#5), NUT (#16), OFF OF ROD (#8).
2. SCREW CYLINDER (#6) OUT OF HEAD (#7), PULL OUT ROD AND PISTON ASSEMBLY.
3. FROM FRONT END OF CYLINDER PULL GUARD (#12) OUT.
4. USING MAINTENANCE TOOL (#19) SCREW NUT (#3) OUT OF CYLINDER. PULL OUT SPACER (#4) AND SEAL (#14).

**Hydraulic Cylinder Reassembly**

- CLEAN AND LUBRICATE ALL PARTS PRIOR TO REASSEMBLY.
- REASSEMBLE PARTS IN REVERSE ORDER

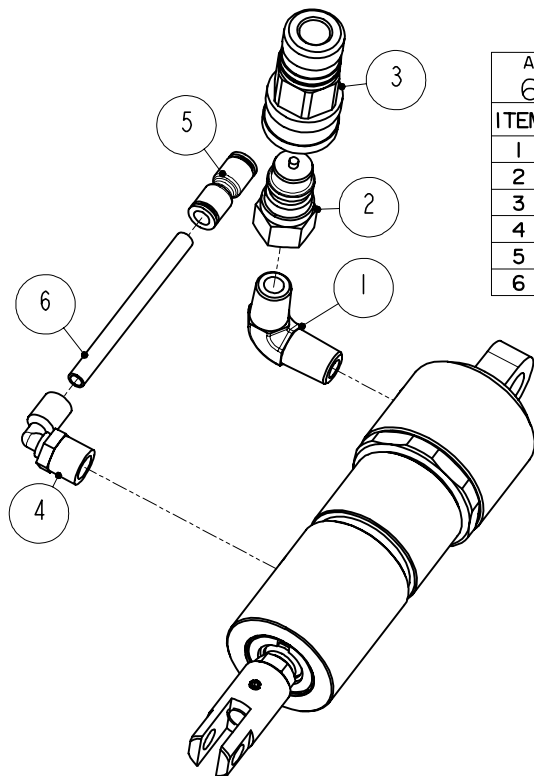


**INSPECT ALL O-RINGS AND SEALS FOR ANY CUTS OR FLAT SPOTS (THESE CAN CAUSE LEAKS). REPLACE PARTS AS NEEDED.**

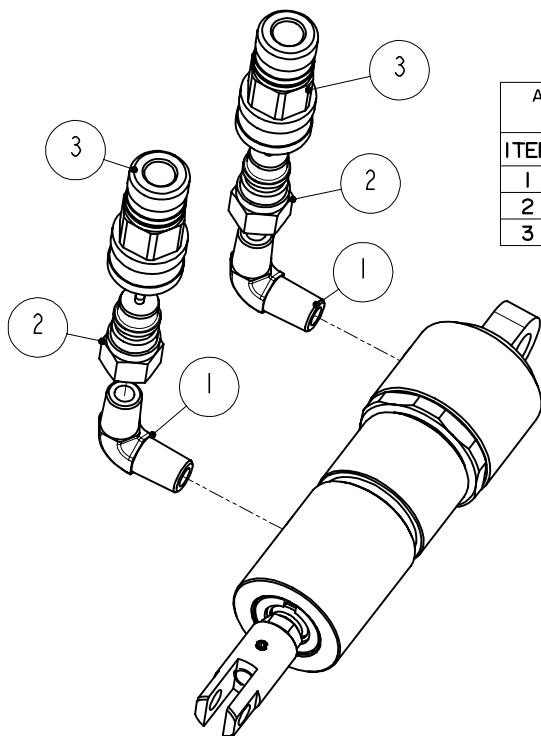
KENTMASTER MFG. CO., INC. 1801 SOUTH MOUNTAIN AVE., MONROVIA, CALIFORNIA 91016 UNITED STATES OF AMERICA

☎ TELEPHONE: (626) 359-8888 FAX: (626) 303-5151

### CYLINDER HOOK-UP PARTS (ONLY IF SUPPLIED w/ BOOSTER OR HYDRO PUMP)



ASSEMBLY No: 6609810		CYLINDER ASSEMBLY USED w/ BOOSTER PUMP	
ITEM	PART #	DESCRIPTION	QTY
1	7004010	ELBOW, 90 DEG	1
2	7035000	COUPLER	1
3	7035010	COUPLER	1
4	7036550	ELBOW	1
5	7037880	UNION	1
6	7300740	RED TUBING	1

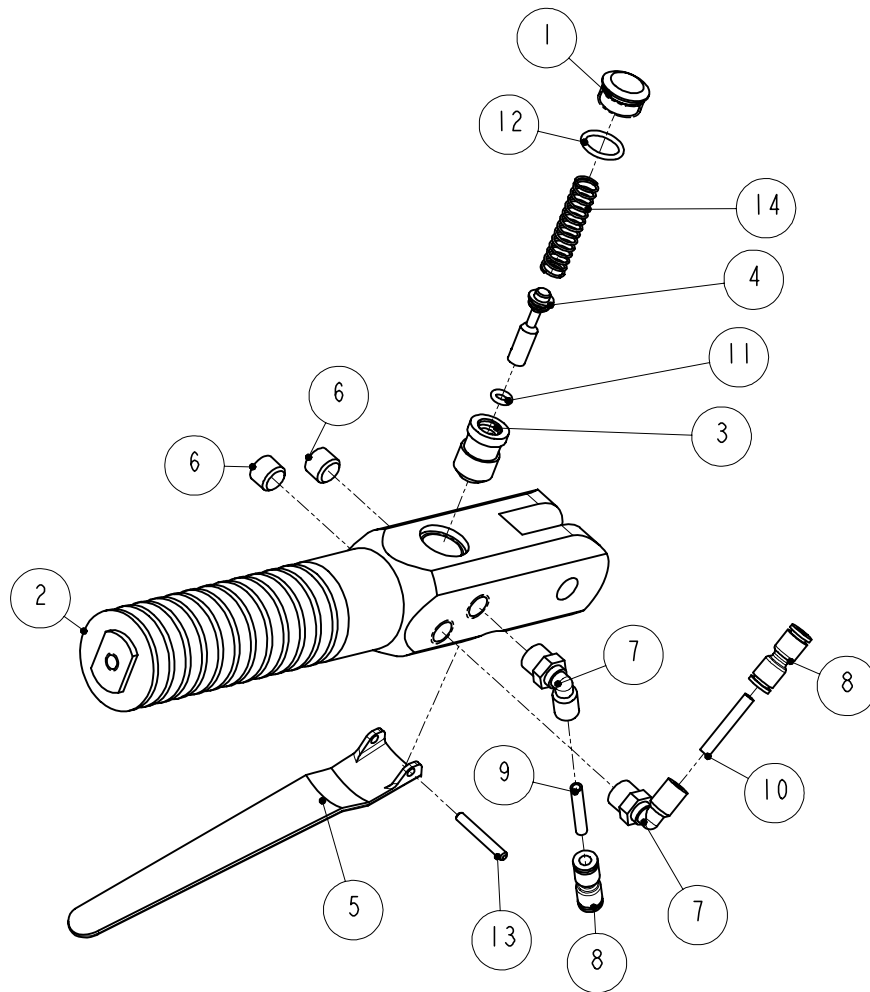


ASSEMBLY No: 6609810		CYLINDER ASSEMBLY USED w/ HYDRO PUMP	
ITEM	PART #	DESCRIPTION	QTY
1	7004010	ELBOW, 90 DEG	2
2	7035000	COUPLER	2
3	7035010	COUPLER	2

**Figure 4**



### HANDLE ASSEMBLY



ASSEMBLY No: 6600450		AIR HANDLE	
ITEM	PART #	DESCRIPTION	QTY
1	6300770	VALVE PLUG	1
2	6600340	HANDLE	1
3	6600350	BUSHING	1
4	6600360	VALVE STEM	1
5	6600500	LEVER	1
6	7000010	PLUG	2
7	7036510	ELBOW	2
8	7037860	UNION	2
9	7300710	RED AIR TUBE	1
10	7300720	GREEN AIR TUBE	1
11	7680080	O-RING	1
12	7680140	O-RING	1
13	8620080	PIN	1
14	8890010	SPRING	1

**Figure 5**

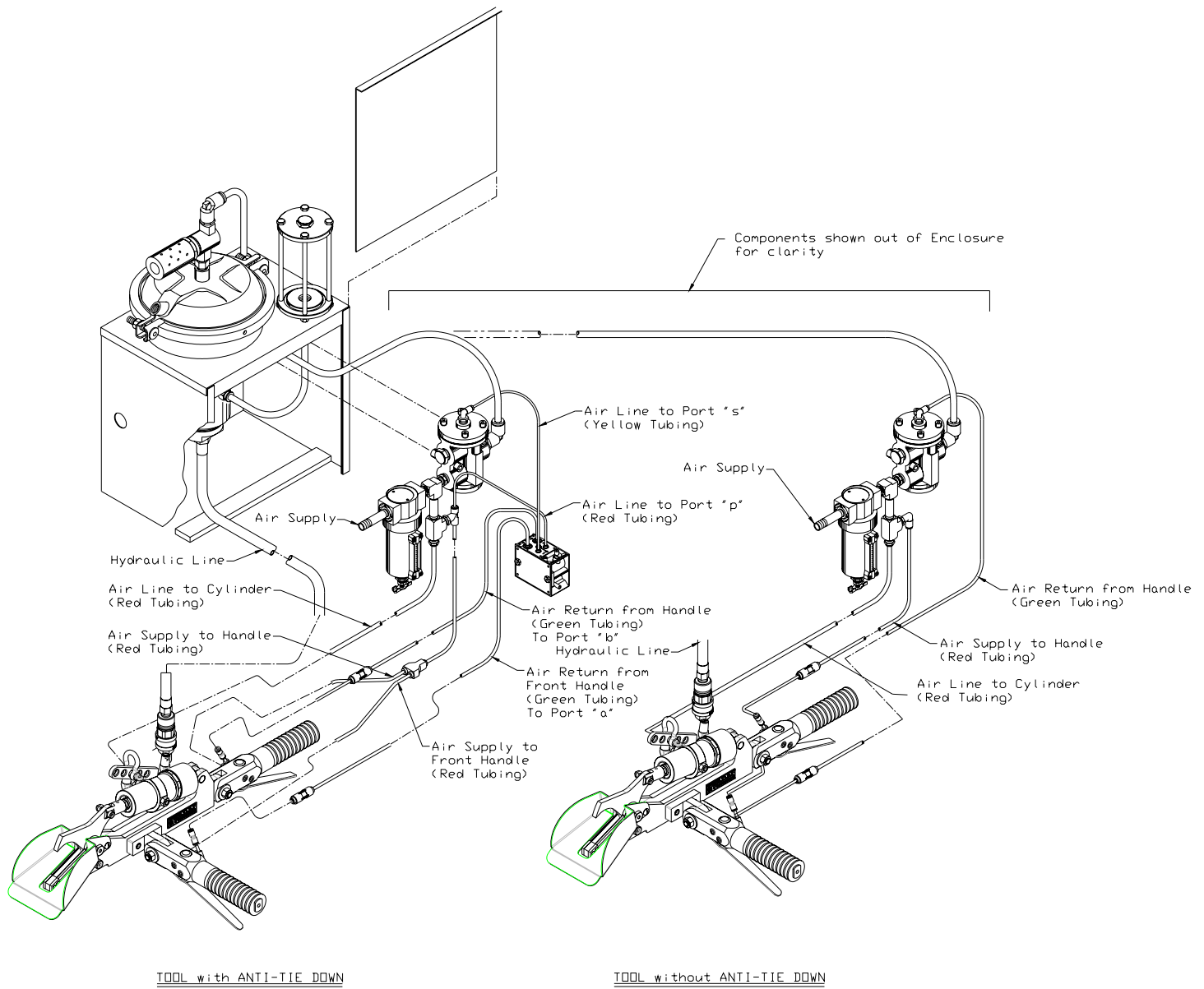
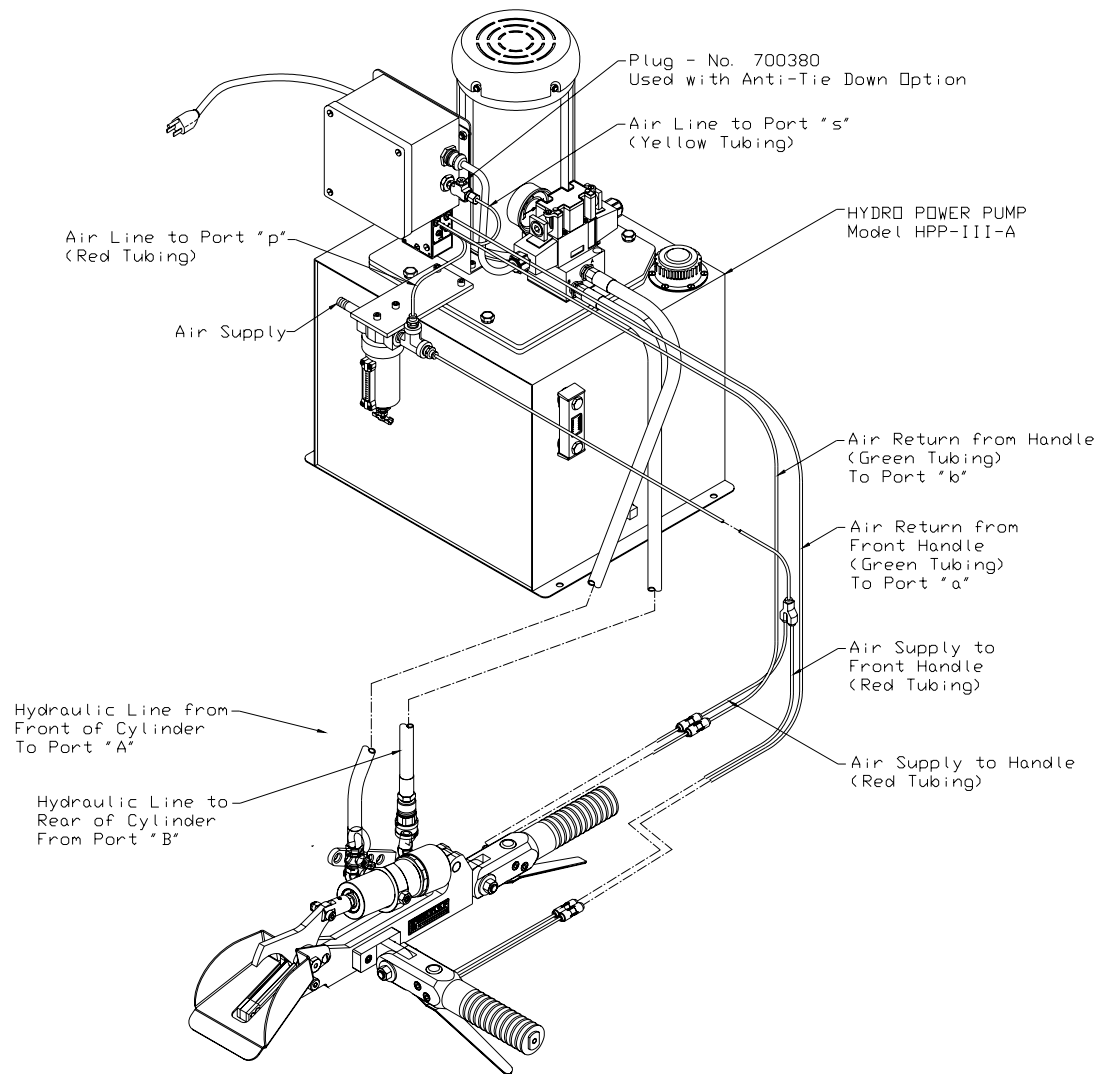


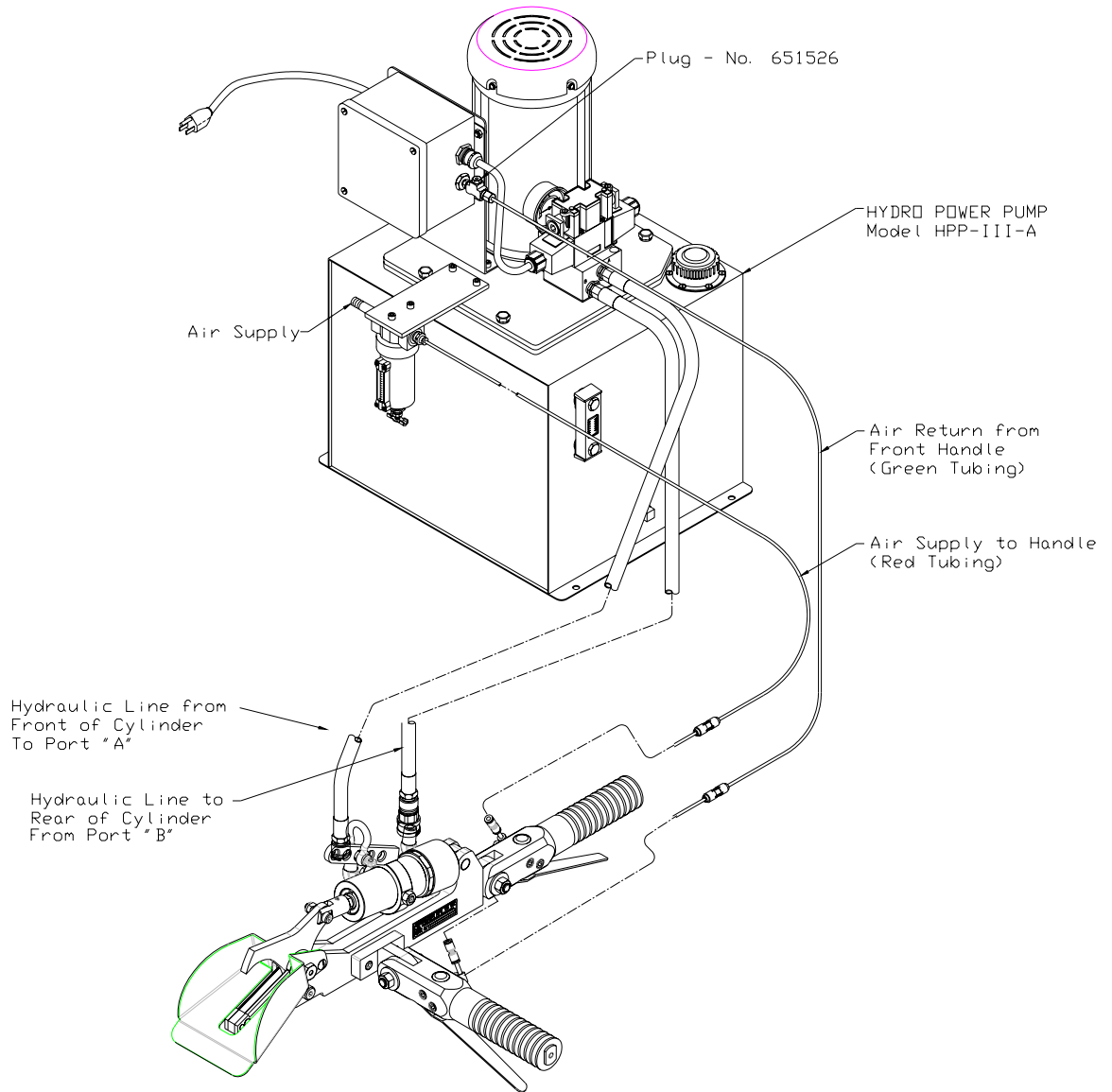
Figure 6

**MT-40 TUBING DIAGRAM**  
**(FOR MODEL B1 BOOSTER PUMP)**



**Figure 7**

**MT-40 w/ANTI-TIE DOWN TUBING DIAGRAM**  
**(FOR MODEL HPP-III-A HYDRO PUMP)**

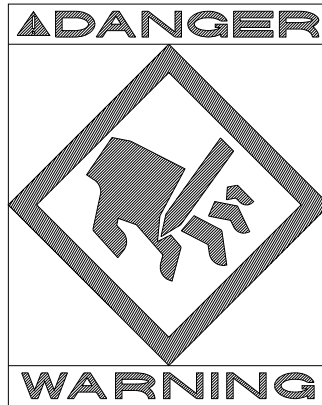


**Figure 8**

**MT-40 w/o ANTI-TIE DOWN TUBING DIAGRAM**  
**(FOR MODEL HPP-III-A HYDRO PUMP)**

**NOTICE TO EMPLOYER AND PURCHASER OF TOOL**  
**NOTICE TO SAFETY DIRECTOR**

**You have purchased a powerful tool that, if misused, can cause severe injury and harm to your employees. You must instruct your employees in the safe and proper use of this tool and to follow the safety procedures and instructions that have been supplied by the manufacturer of this tool. Please follow the following instructions.**



1. Instruct tool operators to test the tool each day before using it to be sure it does not malfunction. Remove and repair any tool that malfunctions.
2. Instruct tool operators to immediately stop using a tool that malfunctions or is defective.
3. Instruct personnel to immediately remove all tools that malfunction. Be sure to disconnect tool from power supply.
4. Instruct all personnel to stay clear of tool, and not to stand or walk in front of, or next to tool when in use.
5. Point out to all personnel the dangers related to the misuse of tool and the importance of following safety procedures and instructions.
6. Do not make, or allow others to make, alterations or modifications to this tool. Replace all lost or illegible labels.
7. Follow all safety, installation and maintenance instructions provided with this tool. Establish proper safety procedures in accordance with local and national requirements to prevent accidental energizing of tool that can cause injuries.
8. If this tool is sold or change in ownership takes place, you must provide the new owner all safety instructions, notices and maintenance instructions you were originally provided. You can obtain additional copies of the instructions from Kentmaster, free of charge upon request.
9. Give copies of instructions to:
  - (A) Tool Operators**
  - (B) Maintenance Supervisor**
  - (C) Clean-up Supervisor**

# GENERAL INFORMATION

COVERING: SAFETY PRECAUTIONS AND PLACING INTO SERVICE  
HYDRAULICALLY OPERATED  
HOG TOE NOTCHER

**READ THIS MANUAL CAREFULLY BEFORE INSTALLING, OPERATING OR SERVICING THIS TOOL**

IT IS THE RESPONSIBILITY OF THE EMPLOYER TO PLACE THIS INFORMATION INTO THE HANDS OF THE OPERATOR.

## PLACING INTO SERVICE

**⚠ WARNING** = Hazards or unsafe practices which could result in severe personal injury, death or substantial property damage.

**⚠ CAUTION** = Hazards or unsafe practices which could result in minor personal injury, product or property damage.

**⚠ NOTICE** = Important installation, operation or maintenance information.

**⚠ WARNING** Installation, adjustment repair and maintenance of this tool must be made by trained and qualified personnel.

**⚠ WARNING** Always disconnect power supply from tool before:

- (A) Installing or removing blade from tool.
- (B) Making repairs or adjustments to the tool.
- (C) performing maintenance or cleanup work.

## INSTALLATION INSTRUCTIONS

**THE COMPRESS AIR DISTRIBUTION SYSTEM MUST BE LARGE ENOUGH TO SUPPLY AN ADEQUATE VOLUME OF CLEAN AND DRY COMPRESSED AIR TO THE TOOL.**

1. A BALANCER IS REQUIRED FOR OPERATION AND USE OF TOOL. TOOL WEIGHT MUST FALL WITHIN WEIGHT RANGE OF BALANCER.
2. INSTALL BALANCER ABOVE WORK AREA. BALANCER MUST HAVE SUFFICIENT VERTICAL TRAVEL SO OPERATOR CAN REACH ENTIRE WORK AREA WITH TOOL WITHOUT STRAIN.
3. ADJUST BALANCER ACCORDING TO THE OPERATOR'S PREFERENCE AND COMFORT.

**⚠ WARNING** WE STRONGLY SUGGEST THAT AN ADDITIONAL SAFETY CHAIN BE USED TO CHAIN BALANCER TO OVERHEAD TROLLEY. THIS ADDITIONAL MEASURE OF SAFETY WILL HELP REDUCE INJURIES.

4. MAKE ALL NECESSARY LINE CONNECTIONS TO THE TOOL.
5. AN AIR FILTER-REGULATOR-LUBRICATOR (PART NO. 720014) MUST BE INSTALLED IN AIR SUPPLY FOR EACH TOOL.
6. FILL LUBRICATOR WITH KENTMASTER AIR MIST OIL (PART NO. 790305). SET DRIP RATE ACCORDING TO INSTRUCTIONS SUPPLIED. TURN ADJUSTMENT ON SIGHT FEED DOME TO INCREASE/DECREASE OIL DELIVERY. MONITOR THE DEVICE BEING LUBRICATED AND READJUST IF NEEDED.
7. TOOL REQUIRES GREASING AFTER EVERY 8 HOURS OF OPERATION. GREASE USING KENTMASTER GREASE (PART NO. 790307).

## **OPERATING INSTRUCTIONS**

**⚠ WARNING** ONLY TRAINED PERSONNEL ARE TO OPERATE THIS TOOL.

1. HOLD TOOL FIRMLY AT BOTH TRIGGER HANDLES. SQUEEZE TRIGGERS SIMULTANEOUSLY TO ACTIVATE TOOL.
2. POSITION TOOL AND PERFORM CUTTING OPERATION.

## **MAINTENANCE**

**⚠ WARNING** ONLY TRAINED AND QUALIFIED PERSONNEL ARE TO PERFORM MAINTENANCE AND SERVICE TO THIS TOOL.

1. FOLLOW PROCEDURE NOS. 6 AND 7 OF INSTALLATION INSTRUCTIONS.

## **SERVICE**

1. KEEP GOOD RECORDS OF ALL SERVICE ACTIVITY AND INCLUDE TOOL IN YOUR PREVENTIVE MAINTENANCE PROGRAM.
2. USE ONLY GENUINE KENTMASTER REPLACEMENT PARTS TO ASSURE PROPER PERFORMANCE OF TOOL.
3. CONTACT THE KENTMASTER SUPPLIER NEAREST YOU FOR PARTS AND CUSTOMER SERVICE INFORMATION.

# DECLARATION OF CONFORMITY

DECLARATION DE CONFORMITE -DECLARACION DE CONFORMIDAD- ERKLARUNG BEZUGLICH EINHALTUNG DER VORSCHRIFTEN  
DICHIAZIONE DI CONFORMITA . CONFORMITEITSVERKLARING

**MANUFACTURED BY:**

**KENTMASTER MFG CO., INC.**  
1801 SOUTH MOUNTAIN AVE.  
MONROVIA, CALIFORNIA 91016  
UNITED STATES OF AMERICA  
TELEPHONE (626) 359-8888 FAX (626) 303-5151

FABRIQUE PAR:  
FABRICADA POR:  
HERGESTELLT VON:  
FABBRICATO DA:  
VERVAARDIGD DOOR:

**TYPE / SERIES: HOG TOE NOTCHER**

TYPE / SERIE:  
TIPO / SERIE:  
TYP / SERIE:  
TIPO / SERIE:  
TYPE / SERIE:

**MODEL: MT-40**

MODELE:  
MODELO:  
MODELL:  
MODELLO:  
MODEL:

**SERIAL NO. RANGE: XXXXX**

N SERIE: • GAMA DE No. DE SERIE: • SERIEN-NR.-BEREICH: • NUMERI DI SERIE: • SERIENUMMERS:

**This product complies with the following European Community Directives:**

Ce produit est conforme aux directives de la Communauté européenne suivantes:  
Este producto cumple con las siguientes Directrices de la Comunidad Europea:  
Dieses Produkt erfüllt die folgenden Vorschriften der Europäischen Gemeinschaft:  
Questo prodotto è conforme alle seguenti direttive CEE:  
Dit produkt voldoet aan de volgende EG-richtlijnen:

**89/392/EEC, 91/368/EEC, 93/44/EEC, 93/68/EEC**

**The following Standards were used to verify compliance with the Directives:**

Les normes suivantes ont été utilisées pour vérifier la conformité avec les Directives:  
Las siguientes Normas se usaron para verificar el cumplimiento de las Directrices:  
Folgende Normen wurden angewandt, um Erfüllung der Vorschriften zu bestätigen:  
Per verificare la conformità del prodotto alle direttive sono stati usati i seguenti standard:  
De volgende normen zijn gebruikt om naleving van de richtlijnen te bevestigen:

**EN 292**

**Approved by:** \_\_\_\_\_

RALPH KARUBIAN MONROVIA, CA . U.S.A

Approuvé par:  
Aprobado por:  
Genehmigt von:  
Approvato da:

Goedgekeurd door: \_\_\_\_\_

RAY PETO MONROVIA, CA . U.S.A

(Engineering Manager) (Directeur technique) (gerente de ingenieria) (verantwortlicher Konstruktionsleiter) (Responsabile tecnico) (ondersteunend technisch mangar)

**Date:** SEP-03-2002

Date:  
Fecha:  
Datum:  
Data:

Datum: SEP-03-2002